

CONTENTS

	Address No.
● Instruction for use of parts catalogue	B2
I . How to order parts	B2
II. How to read this parts catalogue.....	B2
III. How to use the flat rate time (F.R.T.).....	B6
● Model photograph	B8
● Part No. index	B9
● Block index-Engine group	C1
● Block index-Frame group	G1



3. Abbreviations

The following abbreviations are used in this parts catalogue.

ASSY.	Assembly	KPH	Kilometers per hour
COMP.	Complete	MPH	Miles per hour
R.	Right	L (100L)	Link (100Links)
L.	Left	A.C.	Alternating current
STD.	Standard	D.C.	Direct current
MM	Millimeter	IN.	Inlet
G	Gram	EX.	Exhaust
T (22T)	Tooth (22Teeth)	FR.	Front
A	Ampere	RR.	Rear
V	Volt	HEX.	Hexagonal
W	Watt	A.M.	Attaching mark
		T.M.	Transcript mark

4. Dimensions

All dimensions are given in millimeters (mm) except in the case of steel balls, tires and tire tubes.

Parts	Example	Interpretation
Bolt (Screw)	6×12	6mm diameter, 12mm length
Pin	8×14	8mm diameter, 14mm length
O-Ring	9.5×1.6	9.5mm diameter, 1.6mm thickness
Oil seal	14×24×5	14mm inside diameter, 24mm outside diameter, 5mm thickness
Tube	5×130	5mm inside diameter, 130mm length

5. Supersedence of parts

Part numbers given under the part name in the "Description" column indicate that the part number has been superseded by that part number. HONDA may make such supersedence without notice.

6. Assemblies

Sections framed with broken lines in the exploded view drawings are available as complete assemblies. (Their individual parts can also be obtained.)

7. Required quantity

The number given in the "Reqd. No." column indicates the quantity of parts used in the section described in that block.

Parts with quantities in () represent optional parts.

Part whose required number is "N", is part whose required number can be selected at need.

8. Part modifications and applicable serial numbers

In cases where a part has been modified, the serial number of the first vehicle (or frame, engine, carburetor) bearing the modification is listed in the "Serial No." column.

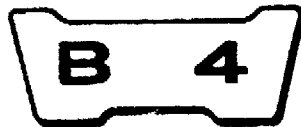
9. Models, area codes and applicable serial numbers

Models, area codes and applicable serial Nos. given in this parts catalogue can be identified as follows.

Parts with area codes are exclusive for models destined for countries designated.

If no area codes are listed, parts are for common use.

Model	Area cord	Type	Applicable engine serial No.	Applicable frame serial No.	Applicable carburetor Identification No.
CB250N	B	Belgium	CB250NE-2000016 - 2000019	CB250N-2000015 - 2000018	VB30B [A] -
	E	England	CB250NE-2000032 - 2027217	CB250N-2000031 - 2027210	
	ED	European direct sales	CB250NE-2000032 - 2021617	CB250N-2003051 - 2021680	
	F	France	CB250NE-2007226 - 2017969	CB250N-2007221 - 2017960	
	G	Germany (*1)	CB250NE-2005195 - 2005245	CB250N-2005191 - 2005240	VB30E [A] -
	G2	Germany (*2)	CB250NE-3000008 - 3004412	CB250N-3000008 - 3004407	
	SW	Switzerland	CB250NE-2003306 - 2019007	CB250N-2003301 - 2019000	



Model	Area cord	Type	Applicable engine serial No.	Applicable frame serial No.	Applicable carburetor Identification No.
CB400N	B	Belgium	CB400NE-2000034 - 2000037	CB400N-2000030 - 2000033	VB31B <u>A</u>
	E	England	CB400NE-2000038 - 2011352	CB400N-2000034 - 2001333	
	ED	European direct sales	CB400NE-2000038 - 2012327	CB400N-2001214 - 2012302	
	F	France	CB400NE-2000038 - 2009495	CB400N-2001604 - 2009483	
	G	Germany (* 1)	CB400NE-2002804 - 2002857	CB400N-2002804 - 2002853	
	G2	Germany (* 3)	CB400NE-3000006 - 3010855	CB400N-3000006 - 3010850	
	CB250NA	B	Belgium	This type is not yet produced.	
E		England	CB250NE-2100006 - 2124015	CB250N-2100006 - 2124006	
ED		European direct sales	CB250NE-2103646 - 2124775	CB250N-2103646 - 2124766	
F		France	This type is not yet produced.		VB30B <u>A</u>
G		Germany (* 1)	CB250NE-2106874 - 2106923	CB250N-2108874 - 2106923	
G2		Germany (* 2)	These types are not yet produced.		VB30B <u>B</u>
SW		Switzerland			
U		Australia	CB250NE-2106984 - 2124982	CB250N-2106984 - 2124966	
CB400NA	B	Belgium	This type is not yet produced.		VB31B <u>A</u>
	E	England	CB400NE-2100006 - 2116610	CB400N-2100006 - 2116604	
	ED	European direct sales	CB400NE-2100426 - 2116960	CB400N-2100426 - 2118054	
	F	France	CB400NE-2100316 - 2116650	CB400N-2100316 - 2116644	
	G	Germany (* 1)	CB400NE-2102834 - 2102883	CB400N-2102834 - 2102883	
	G2	Germany (* 3)	These types are not yet produced.		
	U	Australia	CB400NE-2106984 - 2117020	CB400N-2106984 - 2117004	VB31B <u>B</u>

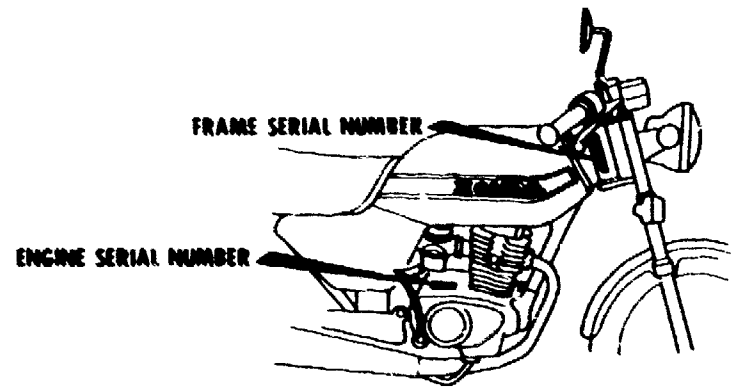
Model	Area cord	Type	Applicable engine serial No.	Applicable frame serial No.	Applicable carburetor Identification No.
CB250NB	B	Belgium	This type is not yet produced.		
	E	England	CB250NE-2200008	CB250N-2200008	VB30B <u>B</u>
	ED	European direct sales	CB250NE-2200016	CB250N-2200016	
	F	France	These types are not yet produced		
	1G	Germany (* 1)			
	2G	Germany (* 2)	CB250NE-2200002	CB250N-2200002	VB30E <u>B</u>
	SW	Switzerland	This type is not yet produced.		
	U	Australia			
CB400NB	B	Belgium	CB400NE-2200013	CB400N-2200013	VB31B <u>B</u>
	E	England	CB400NE-2200010	CB400N-2200010	VB31B <u>B</u>
	ED	European direct sales	CB400NE-2200014	CB400N-2200014	
	F	France	CB400NE-2200012	CB400N-2200012	
	1G	Germany (* 1)	CB400NE-2200011	CB400N-2200011	VB31B <u>B</u>
	2G	Germany (* 3)	CB400NE-3200002	CB400N-3200002	
	U	Australia	These types are not yet produced.		
	H	Netherland			

- * 1 Full power type
- * 2 13kW type
- * 3 20kW type

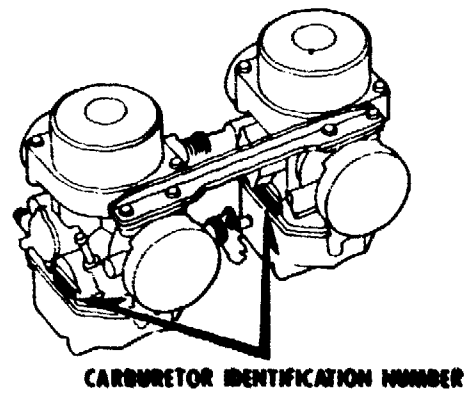
* Of carburetor identification numbers, only the portions underlined in the example below are used for registration.

VB30 E A KC ア

10. Location of stamped serial number



B443-0A



B413-0B



III. How to use the flat rate time (F.R.T.)

This F.R.T. (Flat Rate Time) is used to determine the standard labor time allowed for replacement of parts covered by the warranty during the period the warranty is in effect. The F.R.T. for those parts which are not listed herein should be determined from the operation closely related to the replacement of that part.

1. The F.R.T. is based on the following servicing conditions

- A liberal allowance is added to the net servicing time.
- Standard times specified are based on the condition that the necessary servicing tools listed in the service manual (motorcycle) which describes the HONDA service policy are available close at hand and the work performed by a mechanic with normal skill.
- Time required for inspection and operational test following the servicing is included in the F.R.T.

2. Method of computing

The job times are listed in tenth of an hour to simplify computation.

- (Example) 0.3 = 18 minutes
5.6 = 5 hours and 36 minutes

CONVERSION CHART			
Hours	Minutes	Hours	Minutes
0.1	6	0.6	36
0.2	12	0.7	42
0.3	18	0.8	48
0.4	24	0.9	54
0.5	30	1.0	60

3. Computing the F.R.T.

When several jobs are performed at the same time, make the calculation in the following manner.

a. Jobs of non duplicated nature

The F.R.T. for the job is obtained by totalling the F.R.T. for each part replaced.

(Example) Replacement of cylinder and clutch spring.

Service item	F.R.T.
Cylinder	1.8
Clutch spring	0.7

The F.R.T. for the job is : $1.8 + 0.7 = 2.5$

b. Jobs of duplicated nature

Take the F.R.T. for the last part to be replaced.

(Example) Replacement of piston and cylinder head gasket.

Service item	F.R.T.
Cylinder head gasket	1.6
Piston	2.0

The F.R.T. for the job is : 2.0

c. Jobs of partially related nature

Total up the F.R.T. for all of the parts replaced and then subtract the F.R.T. for the duplicated operation.

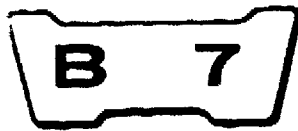
(Example) Replacement of gear shift drum and crankshaft assembly.

Service item	F.R.T.
Gear shift drum	* 4.5
Crankshaft	* 7.4
Crankcase disassembly	* 4.0

The F.R.T. for the job is : $(4.5 + 7.4) - 4.0 = 7.9$

Crankcase disassembly is the duplicated operations.

● The F.R.T. shown with (*) includes engine removal and installation.



4. Operations other than replacing parts

a. Removal and installation

No.	Service item	F.R.T.
1	Engine	2.2
2	Cylinder head	1.6
3	Carburetor	0.7

b. Adjustment, measurement and cleaning

Engine

No.	Service item	F.R.T.
1	Ignition timing-Inspection	0.2
2	Spark plug-adjustment and cleaning	0.2
3	Tappet adjustment	0.6
4	Carburetor idle-adjustment	0.2
5	Engine oil-inspection (excluding oil change)	0.1
6	Clutch-adjustment	0.2
7	Cleaner element-cleaning	0.1
8	Compression-pressure measurement	0.2
9	Battery-checking of electrolyte level and gravity	0.3
10	Carburetor-float level measurement	1.1
11	Oil filter cleaning	0.2
12	Throttle operation-adjustment	0.1
13	Carburetor synchronization-adjustment	0.3

Frame

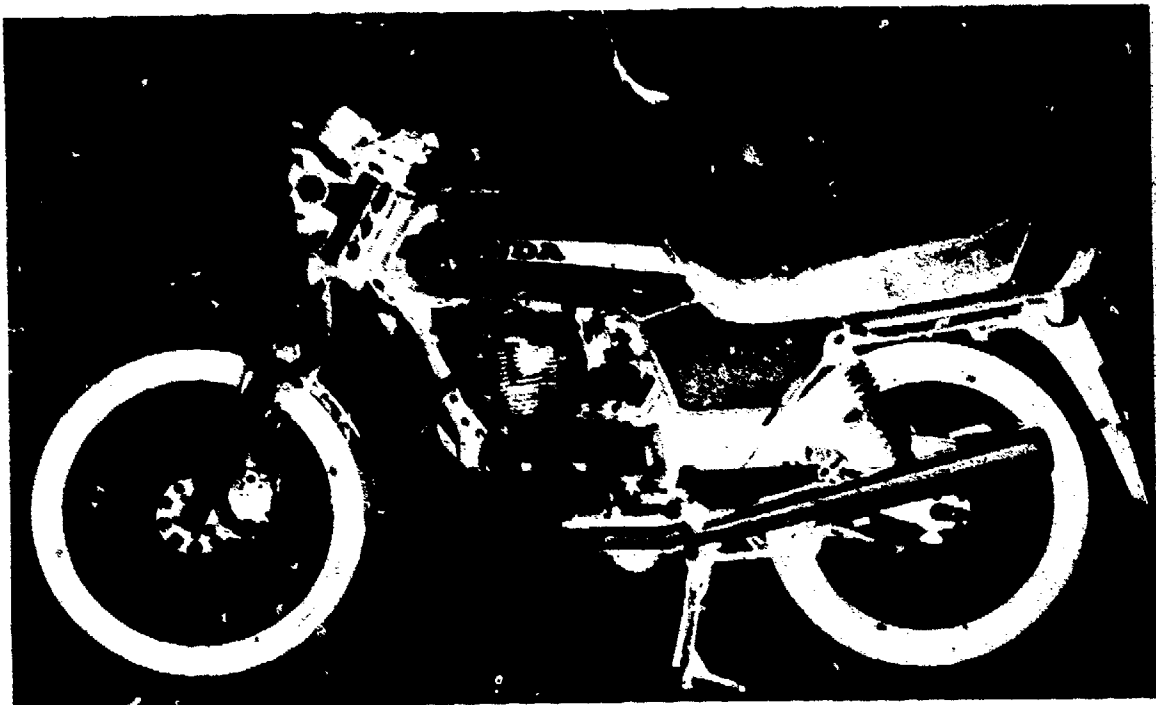
No.	Service item	F.R.T.
1	Front brake-adjustment	0.1
2	Front brake-air bleeding	0.2
3	Rear brake-adjustment	0.1
4	Brake-operation test	0.1
5	Headlight-aimings	0.2
6	Drive chain (includes tension adjustment however, does not include sprocket)	0.1
7	Front wheel balance	0.8
8	Rear wheel balance	0.9

c. Overhaul

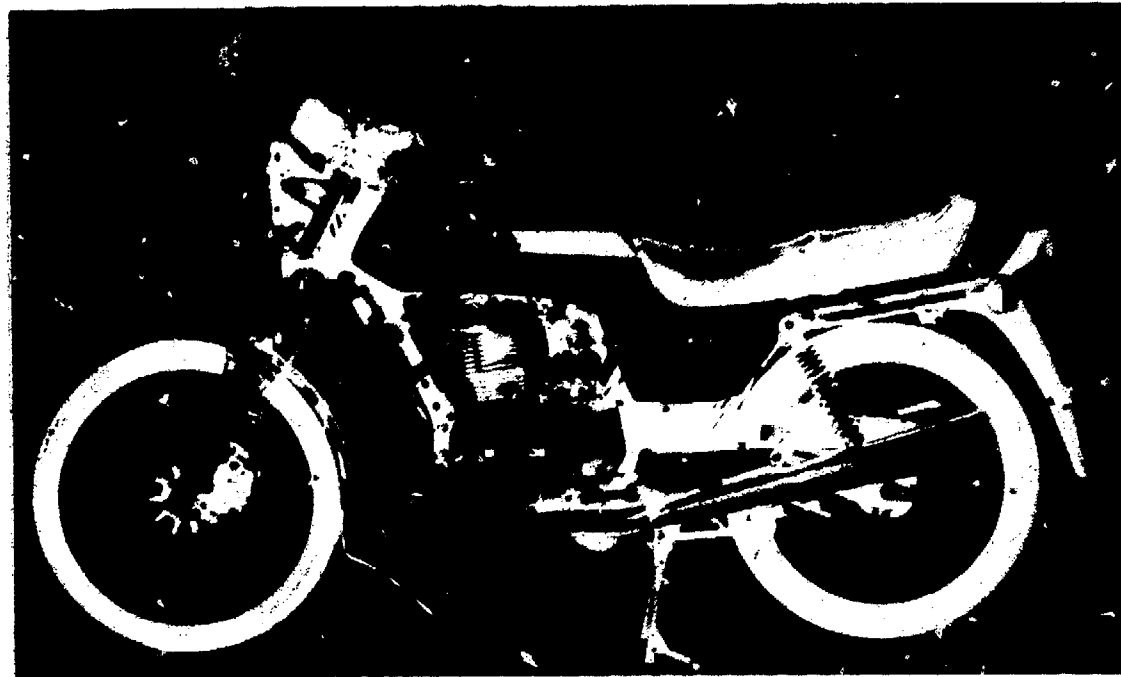
No.	Service item	F.R.T.
1	Carburetor	1.7

● This parts catalogue is compiled as of December 10, 1980.

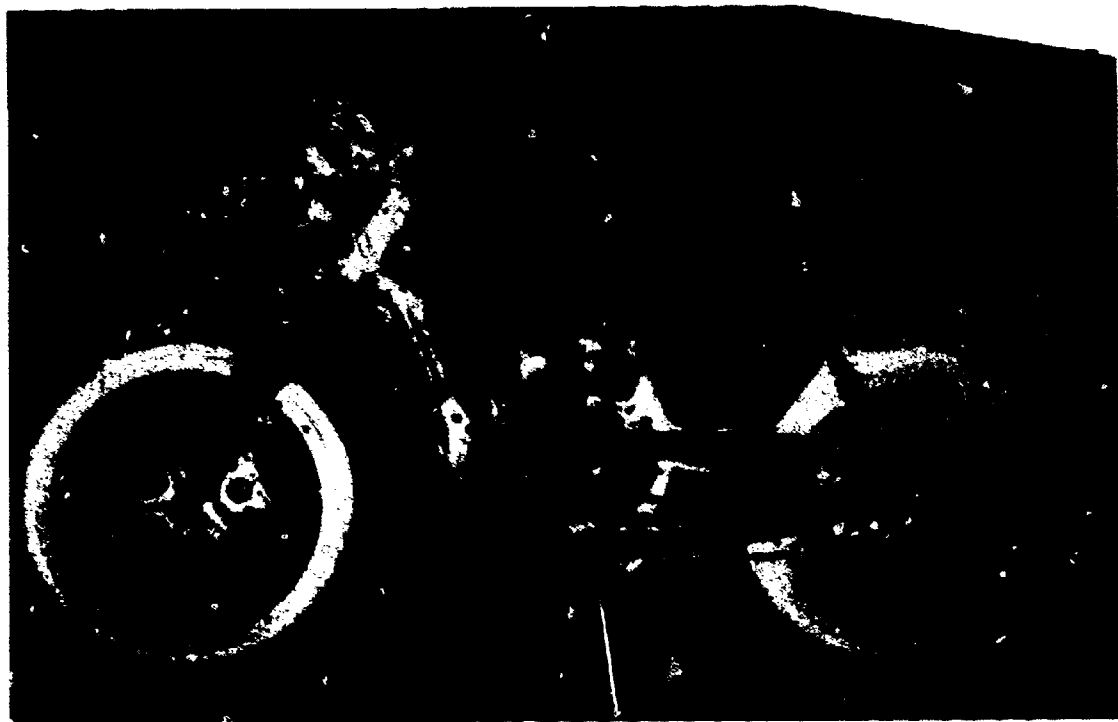
April 20, 1978
HONDA MOTOR CO., LTD.



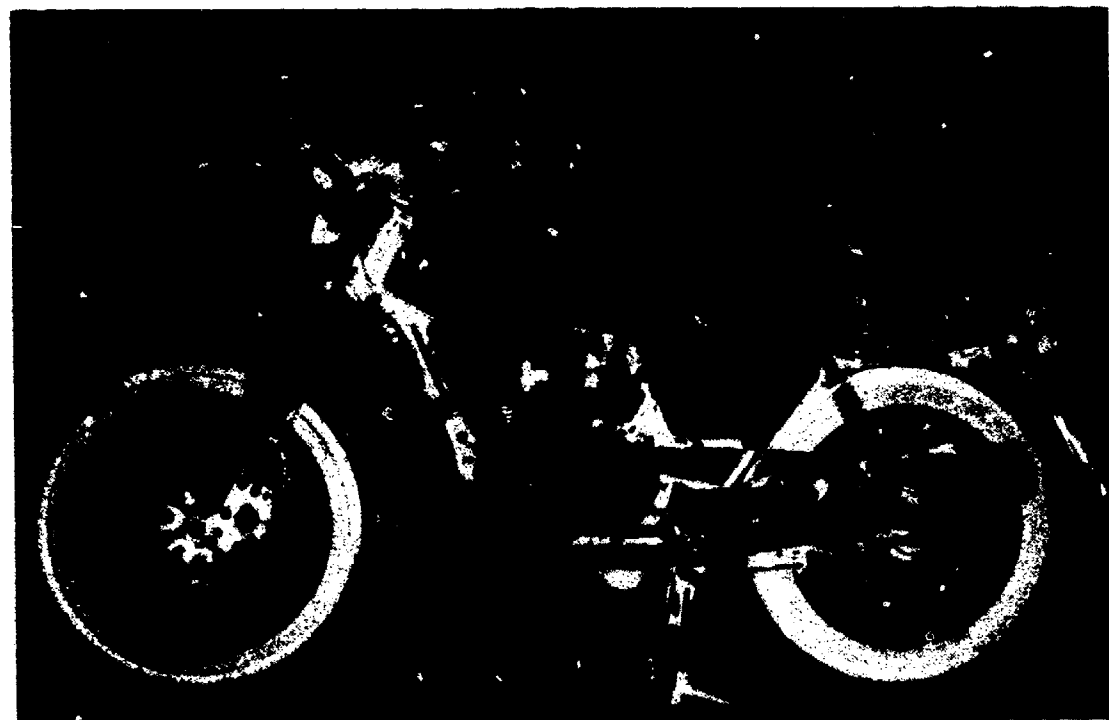
CB400N-ED



CB400NA-ED



CB250NB-ED



CB400NB-ED



Part No. Address No.
 N° de pièce N° de Adresse
 Teile-Nr Adresse-Nr.
 No. de pieza No. de direccion

11000
 11000-442-010
 11000-442-020
 11000-442-030
 11000-443-010
 11000-443-020
 11000-443-030
 11000-443-790
 11200-413-781
 11200-413-782
 11200-413-783
 11330-443-000
 11330-443-840
 11330-443-790
 11360-443-000
 11360-443-790
 11393-413-000
 11492-413-300
 11851-413-000
 11851-414-000
 11901-413-000
 12000
 12100-413-020
 12100-413-030
 12100-414-020
 12100-414-030
 12100-443-790
 12121-443-000
 12191-413-020
 12191-414-020
 12200-413-000
 12200-413-890
 12200-442-000
 12200-443-610
 12208-413-003
 12209-107-000
 12209-300-003
 12209-413-003
 12210-413-020
 12211-250-310
 12220-413-020
 12221-413-000
 12222-413-000
 12231-413-305
 12241-413-305
 12251-413-000
 12251-413-003
 12251-414-000
 12251-414-003
 12300-413-000
 12300-443-790
 12321-413-010
 12324-413-000
 12328-413-000

12431-413-781
 12510-413-305
 12520-413-305
 12901-413-000
 12902-413-000
 12909-413-000
 13000
 13011-413-013
 13011-413-015
 13011-414-003
 13011-414-005
 13021-413-013
 13021-413-015
 13021-414-003
 13021-414-005
 13031-413-013
 13031-413-015
 13031-414-003
 13031-414-005
 13041-413-013
 13041-413-015
 13041-414-003
 13041-414-005
 13051-413-013
 13051-413-015
 13051-414-003
 13051-414-005
 13101-442-004
 13101-443-000
 13102-442-004
 13102-443-000
 13103-442-004
 13103-443-000
 13104-442-004
 13104-443-000
 13105-442-004
 13105-443-000
 13111-413-000
 13111-414-000
 13204-371-000
 13205-634-010
 13210-414-000
 13210-443-000
 13214-413-003
 13214-413-004
 13214-414-003
 13214-414-004
 13215-413-003
 13215-413-004
 13215-414-003
 13215-414-004
 13216-413-003
 13216-413-004
 13216-414-003
 13216-414-004
 13217-413-003
 13217-413-004
 13217-414-003
 13217-414-004
 13218-413-003
 13218-413-004
 13218-414-003
 13218-414-004
 13300-413-782
 13300-413-783
 13300-414-010
 13300-414-020

C16 13301-413-782
 C2 13301-414-315
 C2 13314-413-003
 D9 13314-413-004
 D10 13314-414-003
 C9 13314-414-004
 13315-413-003
 13315-413-004
 13315-414-003
 D14 13315-414-004
 D14 13316-413-003
 D15 13316-413-004
 D15 13316-414-003
 D14 13316-414-004
 D14 13317-413-003
 D15 13317-413-004
 D15 13317-414-003
 D14 13317-414-004
 D14 13318-413-003
 D15 13318-413-004
 D15 13318-414-003
 D14 13318-414-004
 D14 13410-413-010
 D15 13410-414-010
 D15 13411-413-000
 D14 13411-413-010
 D14 13412-413-000
 D15 13420-413-010
 D15 13420-414-000
 D16 13430-413-000
 D15 13431-443-000
 D16 13432-413-000
 D16 13440-413-023
 D16 13611-413-010
 D16 13613-413-300
 D16 13614-413-000
 D16 13615-413-000
 D16
 14000
 D16 14101-413-710
 D16 14101-414-000
 D16 14101-414-600
 D16 14101-443-000
 D16 14321-413-010
 D16 14401-413-004
 D16 14401-414-004
 E1 14421-413-000
 E1 14421-414-000
 E1 14431-413-000
 E1 14451-413-000
 E1 14453-413-000
 E1 14500-413-000
 E1 14510-413-000
 E1 14515-413-000
 E1 14515-414-000
 E1 14518-413-000
 E2 14538-413-000
 E2 14620-413-000
 E2 14620-413-010
 E2 14620-414-000
 E2 14620-414-010
 E2 14711-413-000
 E2 14711-414-000
 E2 14721-413-000
 E3 14721-414-000
 E3 14751-414-003
 E3 14751-414-004
 E3 14752-414-003

E3 14752-414-004
 E3 14761-414-003
 E3 14761-414-004
 E3 14762-414-003
 E3 14762-414-004
 E3 14771-107-020
 E3 14771-413-000
 E4 14775-107-000
 E4 14775-413-000
 E4 14781-107-020
 E4 14781-410-000
 E4
 15000
 E4 15100-413-020
 E4 15100-413-030
 E4 15100-414-000
 E5 15110-413-010
 E5 15140-611-003
 E5 15141-413-000
 E5 15141-413-010
 E5 15151-413-000
 E8 15220-413-020
 E8 15411-413-000
 E8 15411-443-790
 E8 15412-413-005
 E8 15414-300-000
 E8 15415-413-000
 E8 15420-415-000
 E8 15650-413-000
 E8 15650-443-790
 E8 15711-414-000
 E9 15772-292-010
 E9
 16000
 E9 16010-413-004
 16010-414-004
 16011-382-004
 16012-442-601
 C10 16012-443-701
 C10 16013-679-005
 C10 16015-413-004
 C11 16016-385-681
 C14 16022-413-004
 C14 16022-413-014
 C14 16026-413-004
 C11 16028-413-004
 C11 16029-413-004
 C11 16048-413-004
 C11 16050-442-601
 C11 16050-443-701
 C14 16051-413-004
 C14 16100-442-601
 C14 16100-442-611
 C14 16100-442-701
 C14 16100-442-711
 C14 16100-443-702
 C14 16100-443-781
 C15 16101-442-601
 C14 16101-442-611
 C15 16101-442-701
 C11 16101-442-711
 C11 16101-443-702
 C11 16101-443-781
 C11 16102-442-601
 C11 16102-442-611
 C11 16102-442-701
 C12 16102-442-711

C12 16102-443-702
 C12 16102-443-781
 C12 16165-413-004
 C12 16165-414-611
 C12 16166-442-601
 C12 16166-443-701
 C12 16211-413-000
 C12 16211-414-010
 C12 16223-413-000
 C12 13950-385-702
 C12 16950-385-703
 16951-385-702
 16951-385-703
 16952-388-015
 D2 16952-447-015
 D2 16997-357-003
 D2
 D2
 D2
 D2
 D10 17211-413-000
 D10 17214-413-690
 D2 17214-414-010
 D12 17214-442-760
 D12 17217-413-000
 D12 17218-413-000
 D12 17219-413-000
 D12 17220-413-000
 D12 17222-413-000
 D12 17223-414-000
 C16 17247-03-000
 C16
 C3 1725-358-000
 L5 17261-413-690
 17265-413-690
 17266-413-690
 17268-413-690
 F2 17366-413-000
 F2 17367-413-690
 F2 175A1-442-630ZA
 F2 175A1-442-630ZB
 F2 175A1-442-630ZC
 F2 175A1-442-630ZD
 F2 175A1-443-630ZA
 F2 175A1-443-630ZB
 F2 175A1-443-630ZC
 F2 175A1-443-630ZD
 F2 175A1-443-680ZA
 F2 175A1-443-680ZB
 F2 17508-413-750ZA
 F2 17508-413-750ZB
 F3 17508-442-610ZA
 F3 17508-442-610ZB
 F3 17508-442-610ZC
 F3 17508-442-630ZA
 F3 17508-442-630ZB
 F3 17508-442-630ZC
 F3 17508-443-610ZA
 F3 17508-443-610ZB
 F3 17508-443-630ZA
 F3 17508-443-630ZB
 F3 17508-443-630ZC
 F3 17508-443-680ZA
 F3 17508-443-680ZB
 F3 17509-413-750ZA
 F4 17509-413-750ZB
 F4 17509-442-610ZA
 F4 17509-442-610ZB
 F4 17509-442-610ZC
 F4 17509-442-630ZA

F4 17509-442-630ZB 2-C3
 F4 17509-442-630ZC 2-C3
 F4 17509-443-610ZA K2
 F4 17509-443-610ZB K2
 F4 17509-443-630ZA 2-C3
 F4 17509-443-630ZB 2-C3
 C6 17509-443-630ZC 2-C3
 C6 17509-443-680ZA 2-C3
 C6 17509-443-680ZB 2-C3
 K1 17520-442-610ZA K3
 K1 17520-442-610ZB K3
 K1 17520-442-610ZC K3
 K1 17520-442-610ZD K3
 K1 17520-443-600ZA K3
 K1 17520-443-600ZB K3
 C16 17520-443-610ZA K2
 17520-443-610ZB K2
 17520-443-610ZC K3
 17520-443-610ZD K3
 L5 17530-443-611 K3
 L5 17530-443-612 K4
 L5 17531-443-610 K4
 L5 17532-404-000 K4
 L5 17611-286-000 K4
 L5 17613-443-610 K4
 L5 17620-422-023 K4
 L5 17620-449-003 K4
 L5 17632-422-000 K4
 L5 17910-443-610 H1
 K13 17910-443-611 H1
 L2 17910-443-760 H1
 L5 17920-443-610 H1
 L6 17920-443-611 H1
 L6 17920-443-760 H1
 L6 17950-443-610 H12
 L6 17951-443-610 H12
 L6
 18000
 K1 18212-634-000 L9
 K1 18231-413-000 L9
 K1 18292-147-000 L9
 K1 18310-413-013 L9
 K1 18310-447-710 L9
 K2 18315-413-010 L9
 K2 18318-443-610 L9
 K2 18320-413-003 L9
 K2 18320-414-003 L9
 N13 18320-442-611 L9
 N13 18320-443-611 L9
 N13 18330-443-612 L9
 N13 18330-443-614 L9
 N13 18330-443-642 L9
 2-C1 18330-443-644 L9
 2-C1 18373-413-000 L10
 2-C1 18374-413-000 L10
 K2 18375-413-000 L10
 K2 18376-413-000 L10
 2-C2 18391-413-000 L10
 2-C2 18392-413-000 L10
 2-C2 18415-413-000 L10
 2-C2 18418-443-610 L10
 2-C2 18420-413-009 L10
 N13 18420-414-009 L10
 N13 18420-442-611 L10
 N13 18420-443-611 L10
 N13 18430-443-612 L10
 N13 18430-443-614 L10
 2-C3 18430-443-642 L10



Part No. Address No. 91255-413-881
 N° de pièce N° de Adresse 91258-410-006
 Teile-Nr Adresse-Nr.
 No. de pieza No. de direccion 91258-410-013

90462-323-000 E12
 90474-703-000 L14 91301-200-000
 90485-286-000 M12 91301-250-000
 90486-028-000 E16 91302-283-003
 90501-447-000 M7 91302-377-000
 90503-283-000 H12
 90505-425-000 J9 91303-413-003
 90512-300-000 M12 91304-216-000
 90513-323-000 M7 91304-286-000
 90524-030-000 J9 91305-323-000
 90529-045-000 E9 91306-413-000
 90529-045-000 E9 91307-283-000
 90534-011-000 K5 91307-413-005
 90543-273-000 I6 91307-703-000
 90544-283-000 I3 91309-300-000
 I7 91325-567-005
 H9 91456-371-770
 90545-300-000 H11
 90554-700-000 E12 92000
 90557-230-000 I16
 J3 92000-05025-0A
 J6 92000-06008-0A
 K9 92000-06010
 90557-538-000 K12
 N5 92000-06012
 L4 92000-06016
 L7
 E12 92000-06028
 I3 92000-08016-0A
 D4 92000-08016-0B
 E13 92000-08018-0H
 J12 92000-10045-0B
 J15 92000-12028-0B
 90705-413-000 E12
 90741-413-000 E7
 90841-001-000 N11
 92023-06025
 92025-06025
 92200-10045-0A
 E12 92500-08095-0A
 F1 92700-06065
 E12 92700-08035
 E6 92700-08050-3B
 E6 92800-14000
 D1
 D1 93000
 D13
 E12 93000-10032-0A
 D1 93481-08035-0B
 E12 93481-08040-00
 I16 93482-08016-0B
 J4 93482-08020-0B
 J6
 I16 93494-06016-00
 J4 93500-04006-0H
 J6 93500-04012-0H
 J12 93500-04016-0H
 J16

J12 93500-04025-0A
 J16 93500-05008-0B
 I2 93500-05008-0H
 I7
 I3
 I3 93500-05012-0H
 I7 93500-05016-0B
 I16
 J4
 J6
 I16 93500-05016-0H
 J4 93500-05020-0G
 J6 93500-05025-0A
 C7 93500-05035-0A
 D1 93500-06010
 C9
 D11 93500-06012
 D13 93500-06016
 I14
 E6
 C9
 C15
 D13 93500-06016-0B
 D11 93500-06020
 D11 93500-06040
 D1
 D8 93500-06045
 C7 93600-04037-1G
 H12 93600-04045-1G
 93600-06016
 93700-03006-0G
 93700-05016-0A
 N5
 I7
 I10 93891-03012-00
 I14 93891-05020-00
 E12 93891-05025-18
 E13 93892-04006-00
 F1 93892-05010-0B
 F1 93893-04012-18
 E9 93893-05012-00
 M12 93901-24610
 C7
 M9 93901-25020
 G4 93901-25320
 G7
 G10 93901-32420
 G13 93901-35420
 D5 93903-24780
 L14
 L16 94000
 M12
 C7 94001-04080-0S
 E9 94001-06000
 I3
 D13
 M10 94001-06000-0S
 L11
 H13
 K5
 C7 94001-08000-0S
 H12
 M7 94002-06000
 F4
 F4 94002-06020
 F4 94002-06080
 94002-10000-0S

L7 94030-08000
 L11
 C7 94030-10000
 G4 94050-06000
 G10
 F4
 G4
 G7
 G11
 G13 94050-06080
 F5
 C7
 H4 94050-08000
 H4
 K9
 K12 94050-10000
 D7
 G4 94101-05800
 G7
 G11 94101-06000
 G13
 N11
 F5 94101-08000
 D7
 D3
 D7
 D7 94101-10000
 H9
 H11 94102-08200
 F1 94102-10200
 K5 94102-12200
 I16
 J4
 J6
 H15 94102-14000
 M12 94109-14000
 L7 94111-04800
 K5
 I14 94111-05000
 H11
 L11
 M16
 N3
 K12 94111-05800
 K9 94111-06000
 K12 94111-06800
 L7
 L7 94111-08000
 G16
 94111-08800
 94111-10000
 F1 94201-16120
 C15 94201-16150
 G16 94201-20180
 H4
 L7 94201-20200
 L14 94201-30250
 N11
 G5
 G7 94201-30400
 G11 94201-40300
 G13 94251-06000
 J9 94251-16000
 M7 94301-08140
 D8
 H9 94301-10160
 L14 94301-12200
 L1 94301-14200
 M10

I3 94401-25180
 I7 94510-10000
 M3 94510-11000
 H11 94510-32000
 H16 94511-12000
 J9 94601-15000
 K9 94601-17000
 L11 94608-30000
 M12
 K12
 L1 95000
 M3
 L11 95001-35360-40
 M12 95001-35480-40
 N11 95001-55100-40
 M1 95002-02100
 N11 95002-02130
 K12 95002-35000
 L8 95005-12260-20
 D7 95005-80160-20
 H9 95011-64000
 M1 95014-41000
 I3
 I7 95014-61100
 M1 95014-61200
 M7 95014-61300
 M1 95014-71701
 M10 95014-72102
 M12 95014-72402
 M10 95014-73300
 G5 95015-32001
 G8 95015-42000
 G11 95015-52000
 G13 95015-82000
 M7 95020-11300
 D13 95700-06010-00
 F1 95700-06010-08
 F5 95700-06012-00
 D8 95700-06012-07
 G5 95700-06012-08
 G8
 G11
 G13 95700-06014-00
 F5 95700-06014-08
 D8
 F5 95700-06016-07
 L1
 I3 95700-06016-08
 I7
 C7
 M1 95700-06018-00
 M7
 L14 95700-06018-08
 M1 95700-06020-00
 J9
 M7
 J9
 J1 95700-06020-07
 J4
 J6 95700-06020-08
 L1
 J9 95700-06025-00
 C15 95700-06025-07
 E9 95700-06028-00
 D1
 D3 95700-06032-00
 D13 95700-06035-00
 D11 95700-06040-00
 C5
 C9

E7 95700-06040-08
 D1 95700-06045-00
 D3 95700-06045-08
 E9 95700-06050-00
 L14 95700-06060-00
 E2
 E2 95700-06080-00
 I4 95700-06105-00
 I7 95700-06115-00
 95700-08012-00
 F5 95700-08016-00
 F5 95700-08020-00
 K5 95700-08020-08
 K5
 L8 95700-08025-00
 F5 95700-08028-08
 C3 95700-08035-00
 L8
 L11 95700-10032-00
 I4 95700-10040-00
 I6 95700-10045-00
 N7 95800-08065-00
 N7 95800-08070-00
 N7 95800-08080-00
 M3 95800-10032-00
 M3
 M3 95800-10070-00
 L14 95800-10080-00
 L14 95800-10095-00
 L14 95800-10125-00
 L14 95800-10150-08
 M1
 H13 96000
 H16
 M12 96000-06018-00
 M8 96000-06028-00
 G16 96000-06035-00
 G16
 L1 96100-60000
 M8 96120-63020-10
 N8
 L4
 N8 96120-63040-10
 M16
 N3 96140-63030-10
 H16
 L8 96201-80000
 M12 96211-08000
 F1 96211-10000
 M13 96220-40100
 M1 96220-40118
 E7 96220-60130
 H9
 H11 98000
 L14
 M16 98069-57717
 N3 98069-57727
 L4 98069-58716
 L8 98069-58717
 H9 98069-58727
 H11 98069-59717
 D11 98069-59726
 M3 98069-59727
 D13 98200-20700
 J9 98200-21500
 D11
 D13

M3
 D11
 N8
 D13
 D8
 D13
 D13
 D11
 L1
 L4
 N8
 M3
 J4
 L11
 N11
 K5
 L11
 L11
 M1
 M10
 M1
 M1
 M9
 M1
 N11
 N11
 N11
 I10
 I14
 N11
 N11
 N11
 N11
 N11
 N11
 N11
 C7
 C16
 C16
 D6
 D5
 J1
 J4
 J6
 J12
 J16
 J13
 J16
 M8
 H15
 L14
 D3
 F1
 E7
 C7
 C7
 C7
 C8
 C8
 C8
 C8
 C8
 L4
 L4

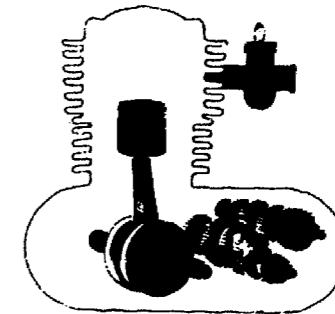
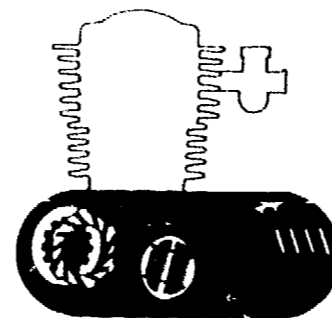
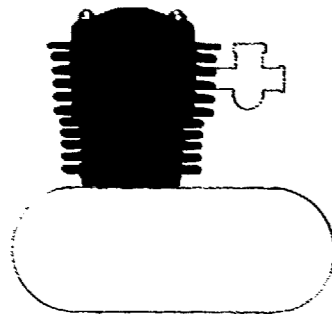
B 14

Part No. Address No.
N° de pièce N° de Adresse
Teile-Nr Adresse-Nr.
No. de pieza No. de direccion

99000

99001-10120	N12
99001-14170	N12
99002-13500	N12
99003-10000	N12
99003-20000	N12
99003-30000	N12
99003-50000	N12
99004-18001	N12
99006-12000	N12
99006-12000	N12
99006-19000	N12
99006-22000	N12
99008-02000	N12
99101-393-0720	F5
99101-393-0780	F5
99102-393-1050	F5
99102-393-1080	F5

BLOCK INDEX - ENGINE GROUP



E- 1	Cylinder head cover - Camshaft holder	C 2
E- 2	Cylinder head	C 6
E- 3	Cylinder	C 9
E- 4	Camshaft - Valve	C10
E- 5	Cam chain - Tensioner	C14

E- 6	Right crankcase cover	C16
E- 7	Oil pump - Oil pressure switch	D 2
E- 8	Clutch	D 4
E- 9	Left crankcase cover - Generator	D 6
E-10	Starting motor	D 8
E-11	Crankcase set	D 9
E-12	Lower crankcase	D12

E-13	Piston - Connecting rod	D14
E-14	Crankshaft	E 3
E-15	Balancer	E 8
E-16	Transmission	E10
E-17	Kick starter	E13
E-18	Gearshift drum - Gearshift arm	E14
E-19	Carburetor	F 2

C 2

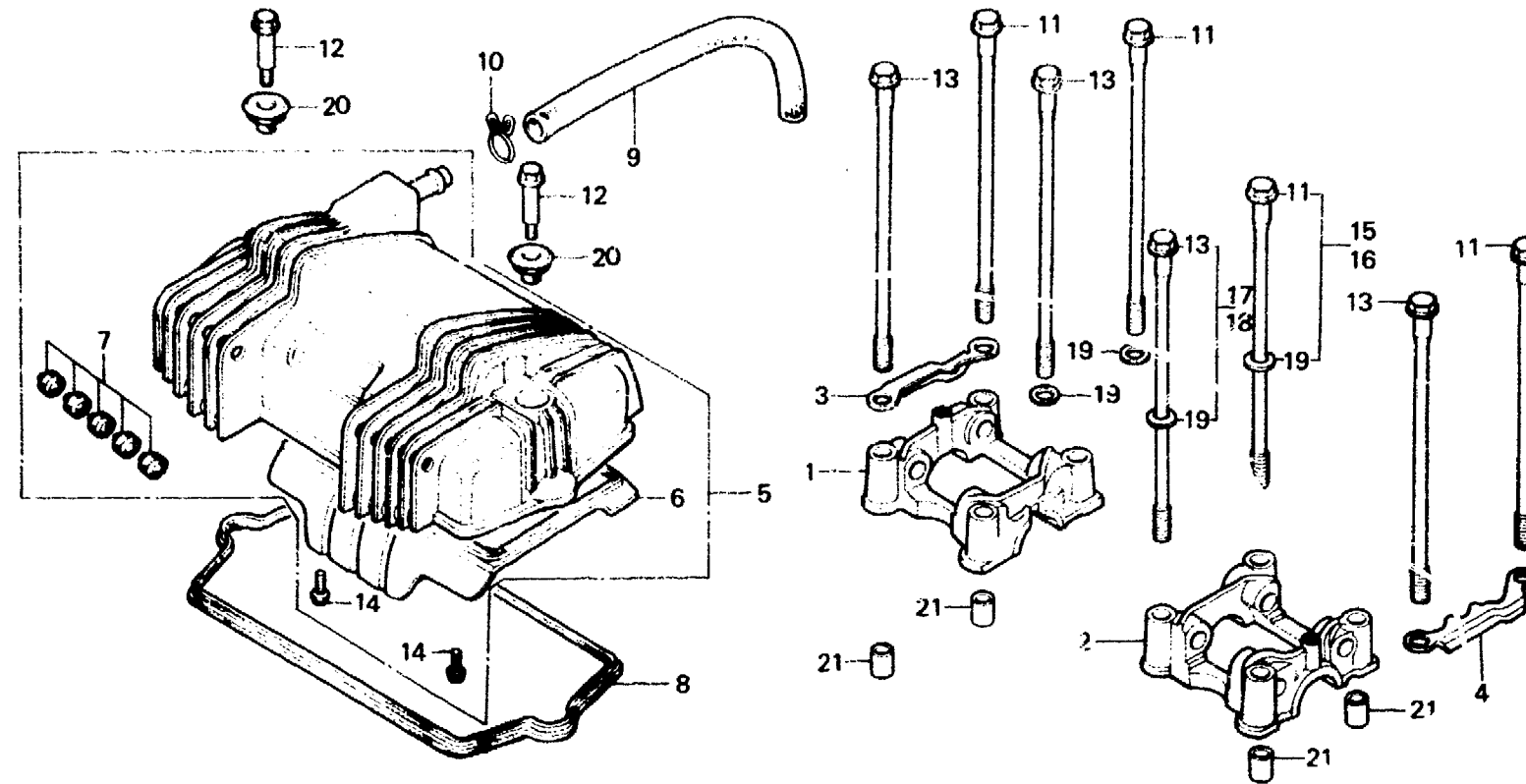
E-1

**Cylinder head cover •
Camshaft holder**

**Couvercle de culasse •
Support d'arbre à cames**

**Zylinderkopfdeckel •
Nockenwellenhalter**

**Cubierta de la culata •
Soporte del árbol de levas**



B413-1B

Service item	F.R.T.	Ref. No.	Part No.	Description	Reqd. No.				Serial No.	Area code	
					CB 250N	CB 400N	CB 250N	CB 400N			
HOLDER, CAMSHAFT (ADD 0.3 FOR EACH.) COVER ASSY., HEAD GASKET, HEAD COVER COVER COMP., BREATHER	0.6	1	12210-413-020	HOLDER, R. CAMSHAFT	1				2004675	B,E,ED,F,G,SW	
	0.2				1				3000487	G2	
	0.3					1			2001916	B,E,ED,F,G	
				12510-413-305	HOLDER SET, R. CAMSHAFT	1				3000785	G2
						1			2004676	B,E,ED,F,G,SW	
						1			3000488	G2	
						1			2001917	B,E,ED,F,G	
						1			3000786	G2	
							1	1	1		
			2	12220-413-020	HOLDER, L. CAMSHAFT	1				2004675	B,E,ED,F,G,SW
						1				3000487	G2
						1				2001916	B,E,ED,F,G
			12520-413-305	HOLDER SET, L. CAMSHAFT	1				3000785	G2	
					1			2004676	B,E,ED,F,G,SW		
					1			3000488	G2		
					1			2001917	B,E,ED,F,G		
					1			3000786	G2		
		3	12221-413-000	PLATE, R. VALVE ROCKER ARM SHAFT SETTING	1	1	1	1	1	1	

C 3

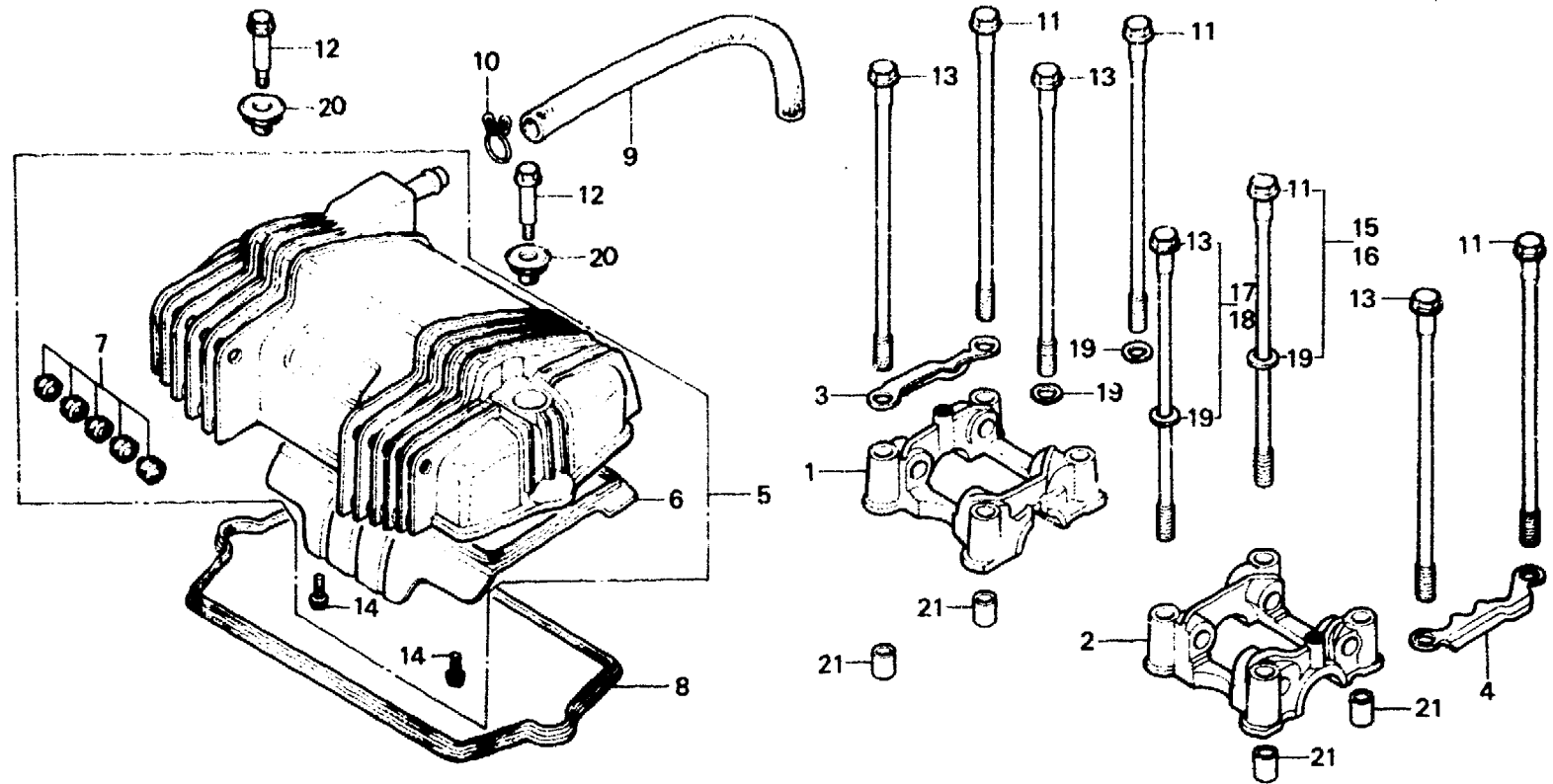
E-1

**Cylinder head cover •
Camshaft holder**

**Couvercle de culasse •
Support d'arbre à cames**

**Zylinderkopfdeckel •
Nockenwellenhalter**

**Cubierta de la culata •
Soporte del árbol de levas**



B413-1B

Service item	F.R.T.	Ref. No.	Part No.	Description	Reqd. No.						Serial No.	Area code
					CB 250N	CB 400N	CB 250NA	CB 400NA	CB 250NE	CB 400NE		
		4	12222-413-000	PLATE, L. VALVE ROCKER ARM SHAFT SETTING	1	1	1	1	1	1		
		5	12300-413-000	COVER ASSY., HEAD	1	1	1	1	1			E, ED, F, H, 1G
			12300-443-790	COVER ASSY., HEAD						1		B, U2G
		6	12321-413-010	COVER COMP., BREATHER	1	1	1	1	1	1		
		7	12324-413-000	RUBBER INSERT	10	10	10	10	10	10		
		8	12328-413-000	GASKET, HEAD COVER	1	1	1	1	1	1		
		9	15711-414-000	TUBE, BREATHER	1		1		1			
			95005-12260-20	TUBE, 12X260		1		1		1		
		10	18534-634-670	CLIP, AIR HOSE, 16	1	1	1	1	1	1		
		11	90081-413-000	BOLT, CYLINDER, 212		4					2011712	B, E, ED, F, G G2
			90081-414-000	BOLT, CYLINDER, 206		4					2020147	B, E, ED, F, G, SW G2
			90081-413-000	BOLT, CYLINDER, 212		4					2011713	B, E, ED, F, G
			90081-414-000	BOLT, CYLINDER, 206		3		3		3	2020148	B, E, ED, F, G, SW
							3		3			

C 4

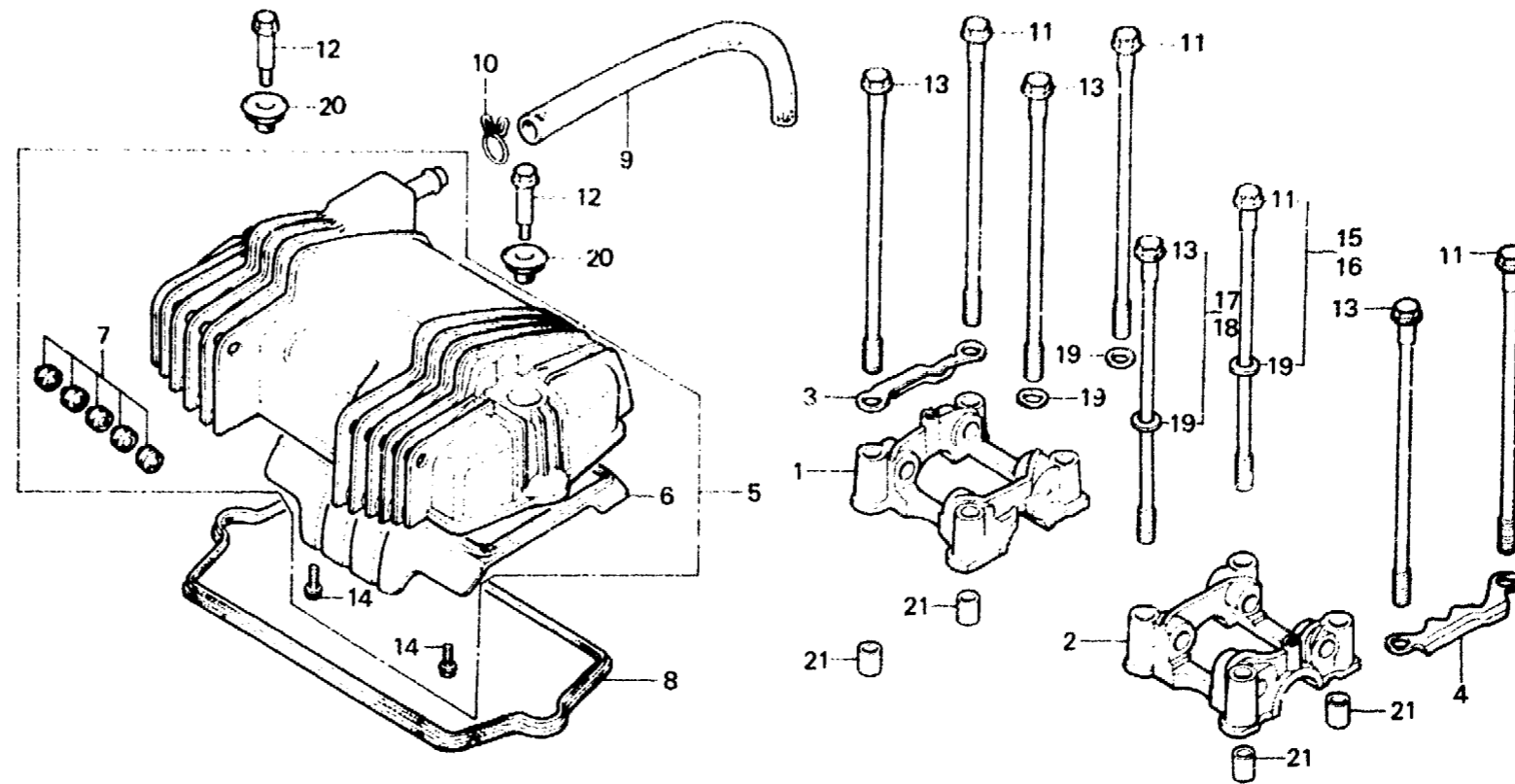
E-1

**Cylinder head cover •
Camshaft holder**

**Couvercle de culasse •
Support d'arbre à cames**

**Zylinderkopfdeckel •
Nockenwellenhalter**

**Cubierta de la culata •
Soporte del árbol de levas**



E413-1B

Service item	F.R.T.	Ref. No.	Part No.	Description	Reqd. No.						Serial No.	Area code
					250N ^{CB}	400N ^{CB}	250NA ^{CB}	400NA ^{CB}	250Ns ^{CB}	400Ns ^{CB}		
		12	90082-413-000	BOLT, HEAD COVER	2	2	2	2	2	2		
		13	90083-413-000	BOLT, CYLINDER, 222		4					2011712	B,E,ED,F,G
			90083-414-000	BOLT, CYLINDER, 216		4						G2
			90083-413-000	BOLT, CYLINDER, 222		4					2020147	B,E,ED,F,G,SW
			90083-414-000	BOLT, CYLINDER, 216		4						G2
							3				2011713	B,E,ED,F,G
								3		3	2020148	B,E,ED,F,G,SW
		14	90083-657-000	BOLT, FLANGE, 6X10	4	4	4	4	4	4		
		15	90087-413-000	BOLT COMP. B, CYLINDER, 212		1					2011713	B,E,ED,F,G
								1		1		
		16	90087-414-000	BOLT COMP. B, CYLINDER, 206		1					2020148	B,E,ED,F,G,SW
							1		1			
		17	90088-413-000	BOLT COMP. B, CYLINDER, 222			1				2011713	B,E,ED,F,G
								1		1		
		18	90088-414-000	BOLT COMP. B, CYLINDER, 216		1					2020148	B,E,ED,F,G,SW
							1		1			

C 5

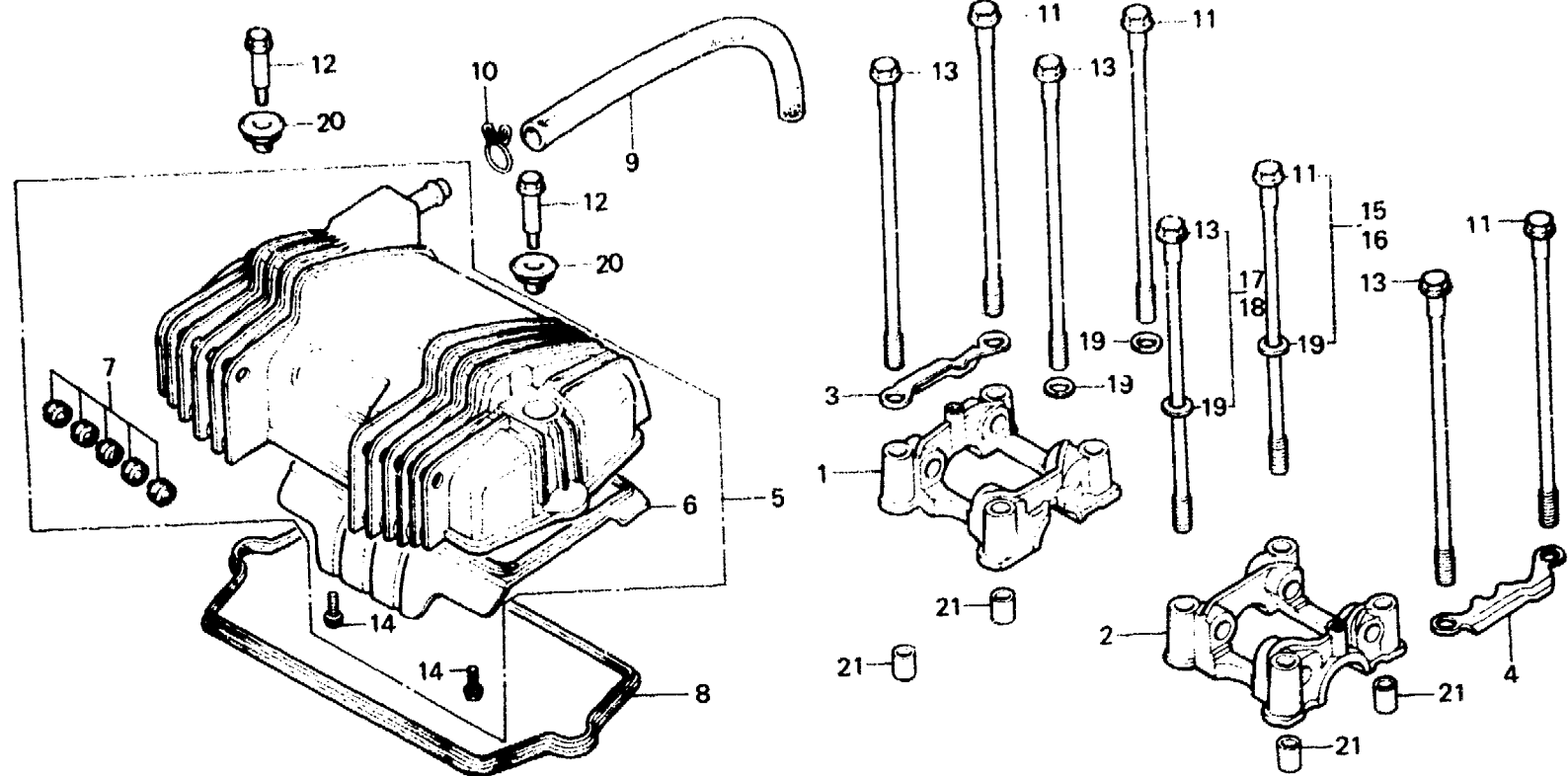
E-1

**Cylinder head cover •
Camshaft holder**

**Couvercle de culasse •
Support d'arbre à cames**

**Zylinderkopfdeckel •
Nockenwellenhalter**

**Cubierta de la culata •
Soporte del árbol de levas**



B413-1B

Service item	F.R.T.	Ref. No.	Part No.	Description	Reqd. No.						Serial No.	Area code
					CB 250N	CB 400N	CB 250N*	CB 400N*	CB 250N*	CB 400N*		
		19	90403-413-010	WASHER, SEALING, 10MM	4	4					2020147	B,E,ED,F,G,SW G2
					4	4					2011712	B,E,ED,F,G B,E,ED,F,G,SW B,E,ED,F,G
					2						2020148	
							2	2	2	2	2011713	
		20	90441-413-000	WASHER, HEAD COVER	2	2	2	2	2	2		
		21	94301-14200	PIN A, DOWEL, 14X20	4	4	4	4	4	4		



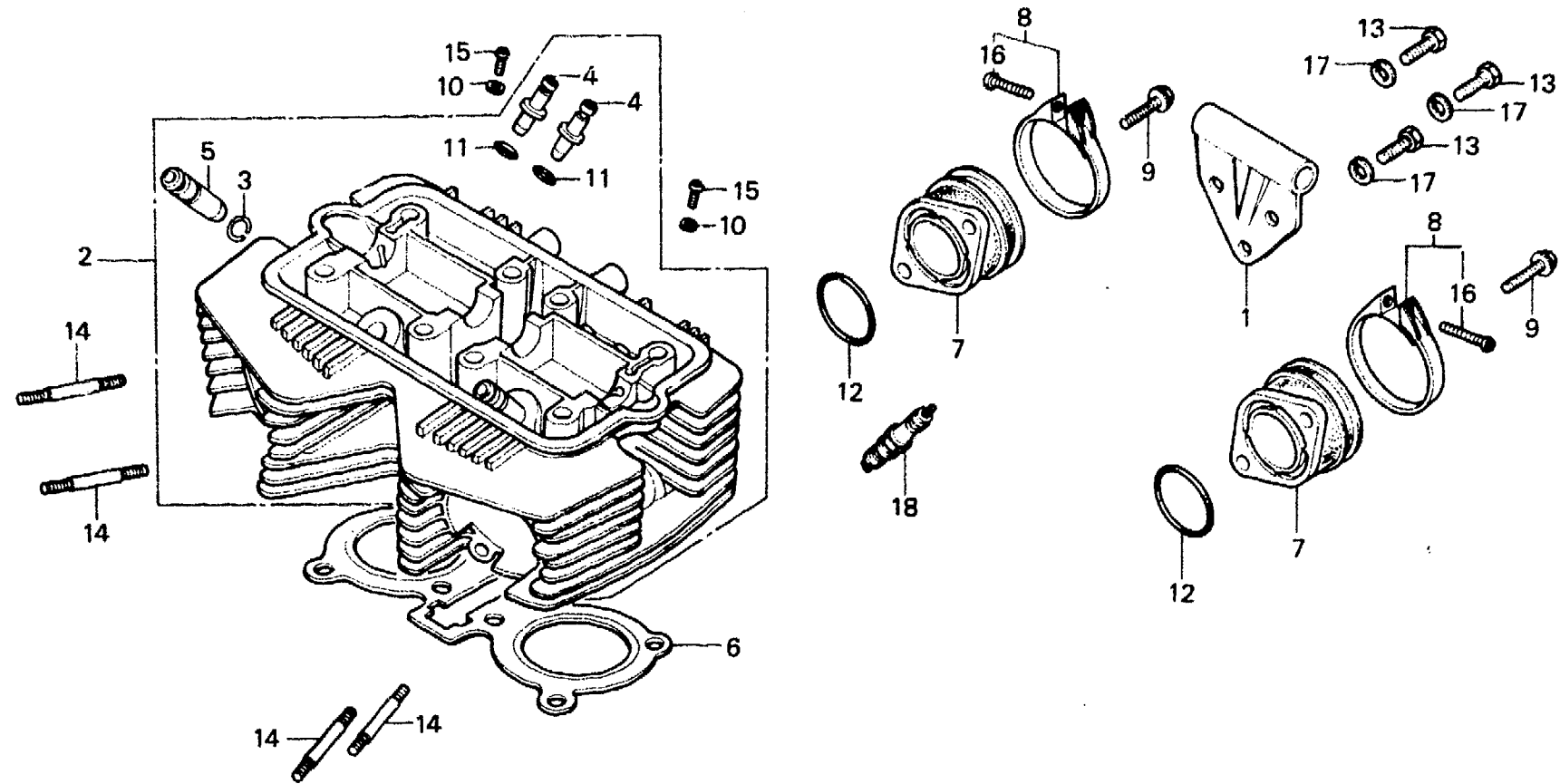
E-2

Cylinder head

Culasse

Zylinderkopf

Culata



B413-2

Service item	F.R.T.	Ref. No.	Part No.	Description	Reqd. No.						Serial No.	Area code
					CB 250N	CB 400N	CB 250Na	CB 400Na	CB 250Na	CB 400Na		
PLATE, ENGINE HANGER	0.5	1	11851-413-000	PLATE, ENGINE HANGER		1		1				
HEAD COMP., CYLINDER	3.3		11851-414-000	PLATE, ENGINE HANGER	1		1		1			
GUIDE, VALVE	1.9	2	12200-413-000	HEAD COMP., CYLINDER		1					2011887	B,E,ED,F,G
(INC. REAMING)						1						G2
(ADD 0.2 FOR EACH.)												
(EXC. VALVE REFACING)			12200-442-000	HEAD COMP., CYLINDER	1		1		1		2011888	B,E,ED,F,G
(ADD MORE 0.2 IF PERFORMED.)			12200-413-890	HEAD COMP., CYLINDER						1		E,ED,F,H,1G
GASKET, CYLINDER HEAD	1.6											H,U,2G
INSULATOR, CARBURETOR	0.6		12200-443-610	HEAD COMP., CYLINDER								
(ADD 0.1 FOR EACH.)		3	12211-250-310	CLIP, VALVE GUIDE	2	2	2	2	2	2		
BOLT, STUD, 6X65	0.2	4	12231-413-305	GUIDE, IN. VALVE	4	4	4	4	4	4		
(ADD 0.1 FOR EACH.)		5	12241-413-305	GUIDE, EX. VALVE	2	2	2	2	2	2		
		6	12251-413-000	GASKET, CYLINDER HEAD			1		1			
			12251-414-000	GASKET, CYLINDER HEAD	1		1					
			12251-413-003	GASKET CYLINDER HEAD (ARAI)								1
			12251-414-003	GASKET CYLINDER HEAD (ARAI)								1
		7	16211-413-000	INSULATOR, CARBURETOR			2		2			2
			16211-414-010	INSULATOR, CARBURETOR	2		2		2			2
		8	16223-413-000	BAND, CARBURETOR INSULATOR	2	2	2	2	2	2		2

C 7

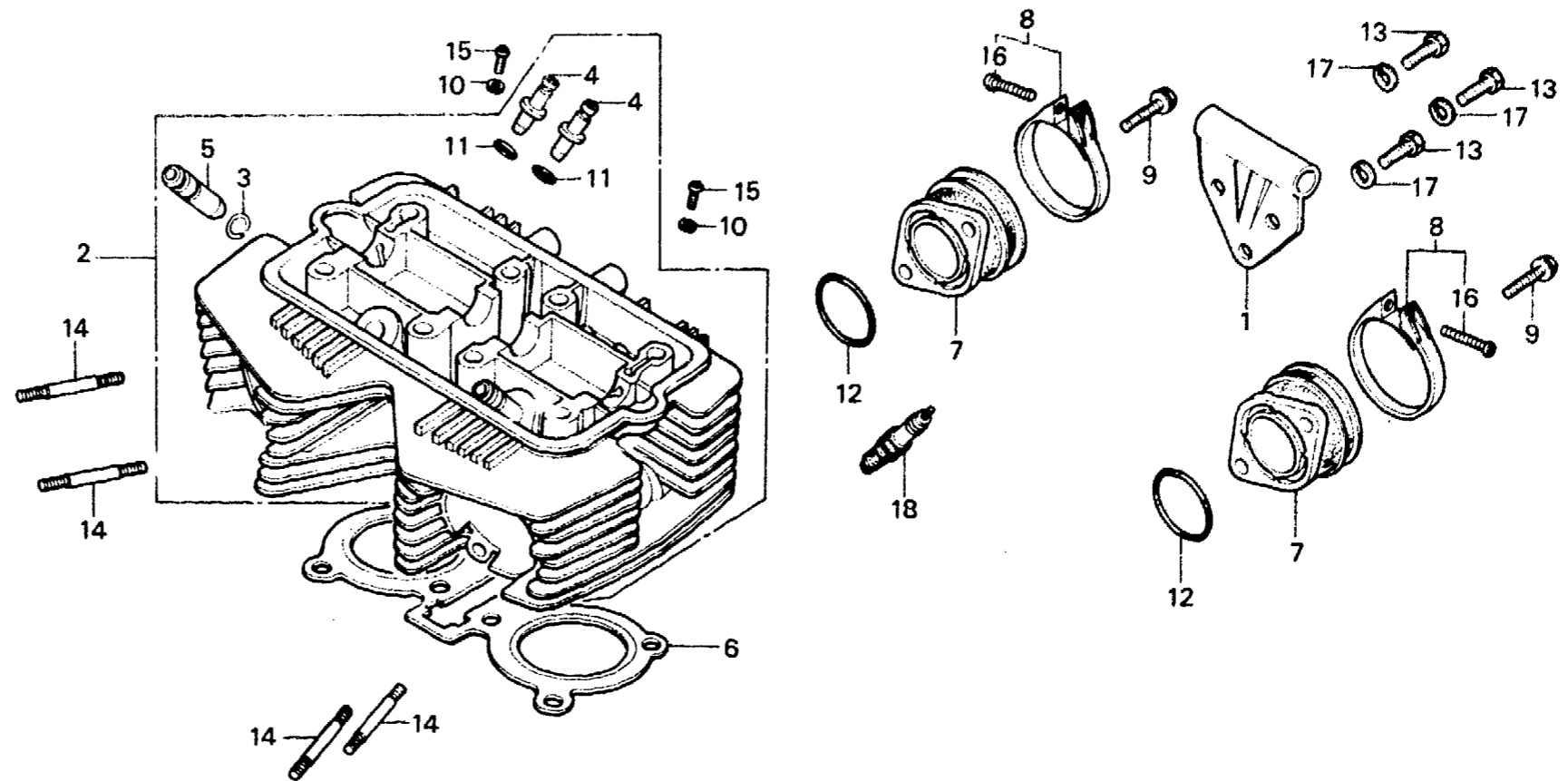
E-2

Cylinder head

Culasse

Zylinderkopf

Culata



B413-2

Service item	F.R.T.	Ref. No.	Part No.	Description	Reqd. No.						Serial No.	Area code
					CB	CB	CB	CB	CB	CB		
		9	90008-413-000	BOLT, FLANGE, 6X18	4	4	4	4				B, E, ED, F, G, G2, SW
			96000-06018-00	BOLT, FLANGE, 6X18	4	4	4	4	4	4		
		10	90452-323-000	WASHER, THRUST, 5MM	2	2	2	2	2	2		
		11	91301-200-000	O-RING, 10X1.6	4	4	4	4	4	4		
		12	91325-567-005	O-RING, 40X2.4	2	2	2	2	2	2		
		13	92000-08018-0H	BOLT, HEX., 8X18	3						2021687	B, E, ED, F, G, SW
					3							G2
			93482-08020-08	BOLT-WASHER, 8X20	3						2021688	B, E, ED, F, G
											2011887	B, E, ED, F, G
											2021688	B, E, ED, F, G, SW
											2011888	B, E, ED, F, G
		14	92700-06065	BOLT, STUD, 6X65	4	4	4	4	4	4		
		15	93500-05008-0H	SCREW, PAN, 5X8	2	2	2	2	2	2		
		16	93500-05020-0G	SCREW, PAN, 5X20	2	2	2	2	2	2		
		17	94111-08800	WASHER, SPRING, 8MM			3	3	3	3		
		18	98069-57717	PLUG, SPARK (D7EA NGK)			(2)	(2)	(2)	(2)		U
			98069-57727	PLUG, SPARK (X22ES-U ND)			(2)	(2)	(2)	(2)		U
			98069-58716	PLUG, SPARK (DRBES NGK)	2	2	2	2	2	2		B, E, ED, F, G, G2, H, SW
												1G, 2G

1980.12.10

E

C7

C 8

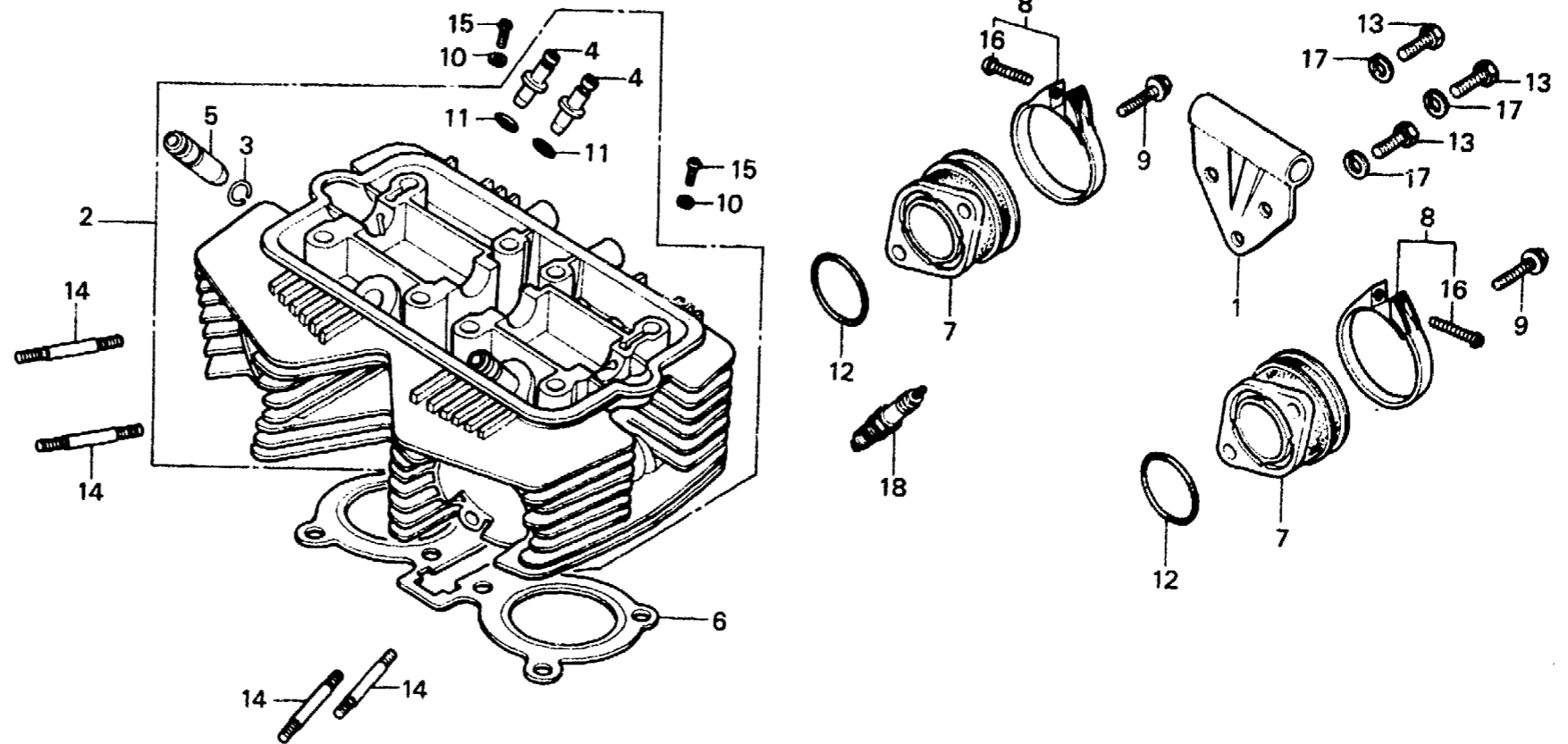
E-2

Cylinder head

Culasse

Zylinderkopf

Culata



B413-2

Service item	F.R.T.	Ref. No.	Part No.	Description	Reqd. No.				Serial No.	Area code
					CB 250N	CB 400N	CB 250Ns	CB 400Ns		
			98069-58717	PLUG, SPARK (D8EA NGK)	2	2	2	2		U
			98069-58727	PLUG, SPARK (X24ES-U ND)	2	2	2	2		U
			98069-59717	PLUG, SPARK (D9EA NGK)	(2)	(2)	(2)	(2)		U
			98069-59726	PLUG, SPARK (X27ESR-U ND)	2	2	2	2		B, E, ED, F, G, G2, H, SW
			98069-59727	PLUG, SPARK (X27ES-U ND)	(2)	(2)	(2)	(2)		1G, 2G U

1980.12.10

E

C8



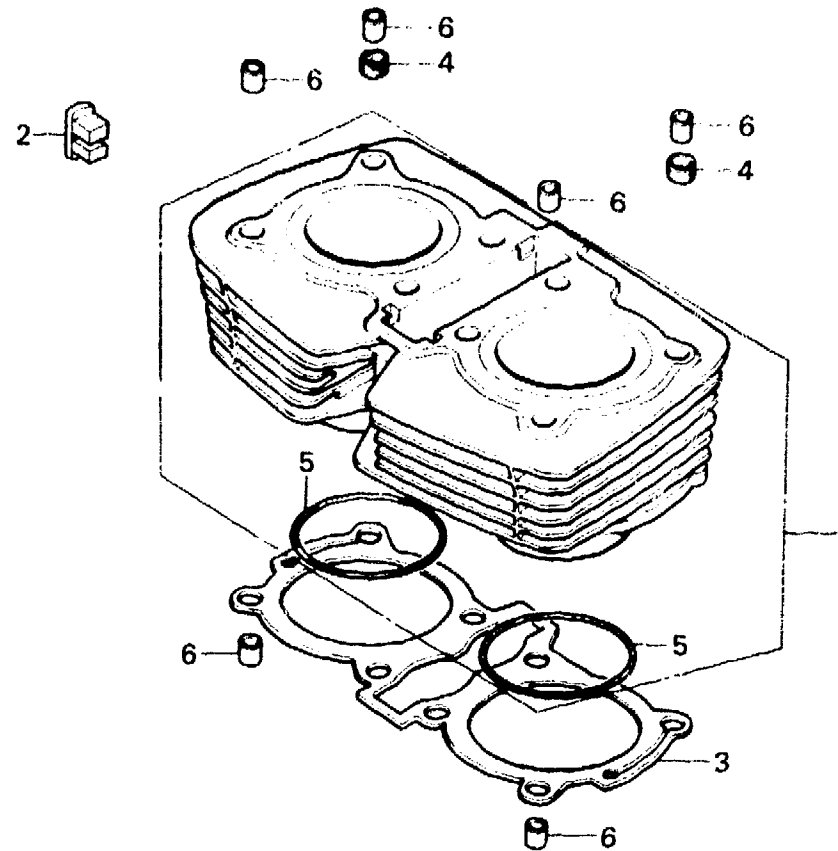
E-3

Cylinder

Cylindre

Zylinder

Cilindro



B443-1

Service item	F.R.T.	Ref. No.	Part No.	Description	Reqd. No.				Serial No.	Area code	
					CB 250N	CB 400N	CB 250N	CB 400N			
CYLINDER COMP. GASKET, CYLINDER	1.8	1	12100-413-020	CYLINDER COMP.	1				2011712	B,E,ED,F,G	
					1					G2	
				12100-414-020	CYLINDER COMP.	1				2020147	B,E,ED,F,G,SW
						1					G2
				12100-413-030	CYLINDER COMP.			1		2011713	B,E,ED,F,G
									1		E,ED,F,H,1G
				12100-414-030	CYLINDER COMP.	1				2020148	B,E,ED,F,G,SW
							1		1		B,U,2G
				12100-443-790	CYLINDER COMP.						
				2	12121-443-000	INSULATOR, CABLE	1	1	1	1	1
		3	12191-413-020	GASKET, CYLINDER		1				1	
			12191-414-020	GASKET, CYLINDER	1		1			1	
		4	12909-413-000	GASKET, CYLINDER STUD	2	2	2	2	2	2	
		5	91302-283-003	RING, CYLINDER, 75.8X2		2		2		2	
			91304-286-000	O-RING, 61.8X2.0	2		2			2	
		6	94301-14200	PIN A, DOWEL, 14X20	6	6	6	6	6	6	

C 10

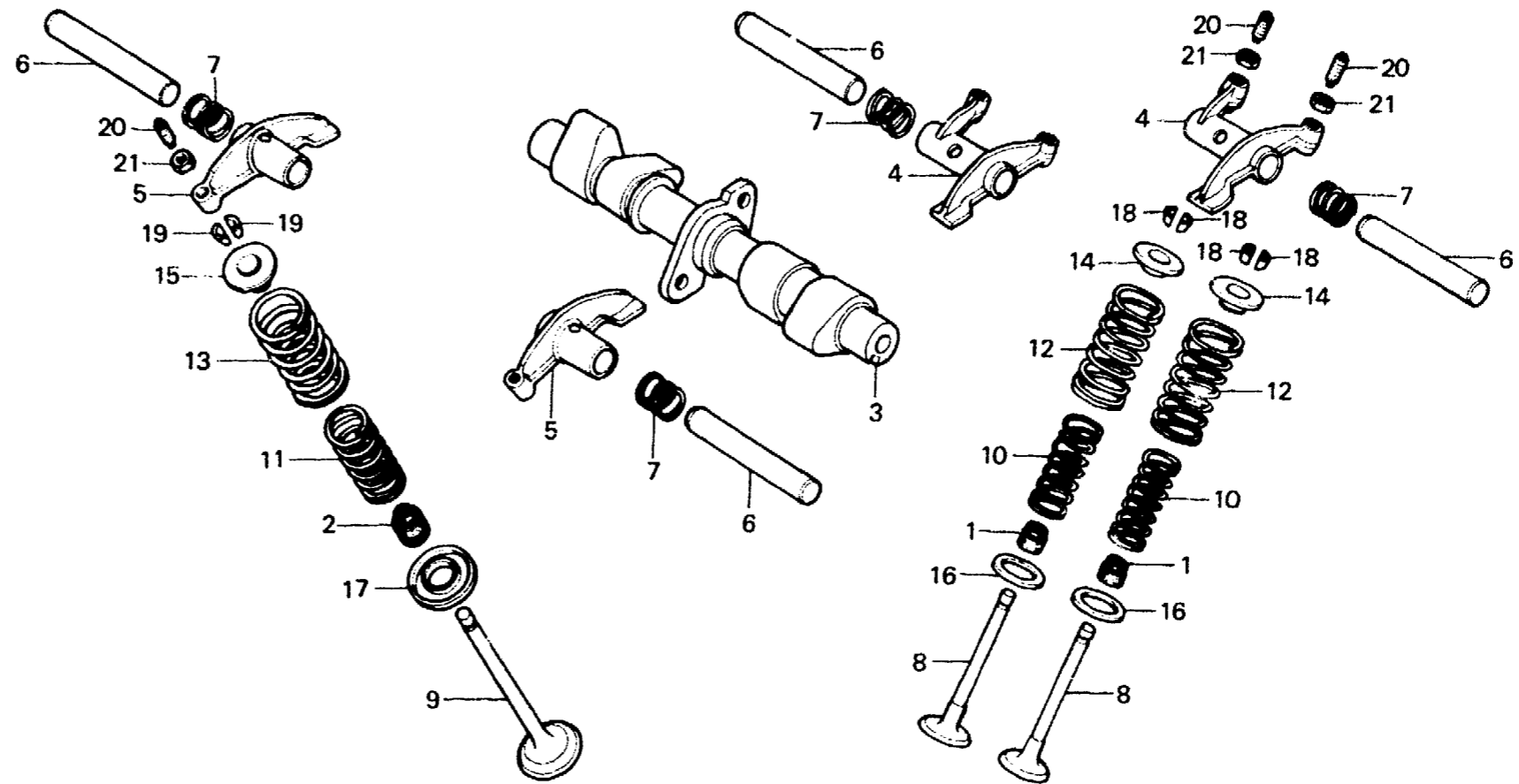
E-4

Camshaft • Valve

Arbre à cames • Soupape

Nockenwelle • Ventil

Arbol de levas • Válvula



B413-4

Service item	F.R.T.	Ref. No.	Part No.	Description	Reqd. No.				Serial No.	Area code	
					CB 250N	CB 400N	CB 250NA	CB 400NA			
CAMSHAFT ARM, VALVE ROCKER INC. RELATIVE PART (WHEN SERVICING COMP. UNIT, F.R.T. IS 0.9.) VALVE (ADD 0.2 FOR EACH.) (INC. REFACING) (EXC. VALVE GUIDE REPLACEMENT) SPRING, VALVE INNER INC. RELATIVE PART (ADD 0.1 FOR EACH.)	1.1	1	12209-107-000	SEAL, VALVE STEM	4				2015297	B,E,ED,F,G,SW	
	0.6				4				3003252	G2	
					4				2010842	B,E,ED,F,G	
					4				3008425	G2	
	1.8			12208-413-003	SEAL, VALVE STEM	4			2015298	B,E,ED,F,G,SW	
					4				3003253	G2	
					4				2010843	B,E,ED,F,G	
					4				3008426	G2	
	1.7		2	12209-300-003	SEAL, VALVE STEM	2	4	4	4		
						2				2015297	B,E,ED,F,G,SW
					2				3003252	G2	
					2				2010842	B,E,ED,F,G	
					2				3008425	G2	
					2				2015298	B,E,ED,F,G,SW	
					2				3003253	G2	
					2				2010843	B,E,ED,F,G	
					2				3008426	G2	
		3	14101-413-710	CAMSHAFT	1	2	2	2		G2,2G	
			14101-414-000	CAMSHAFT	1	1	1	1		B,E,ED,F,G,SW,U,1G	
			14101-414-600	CAMSHAFT	1	1	1	1		G2,2G	

C 11

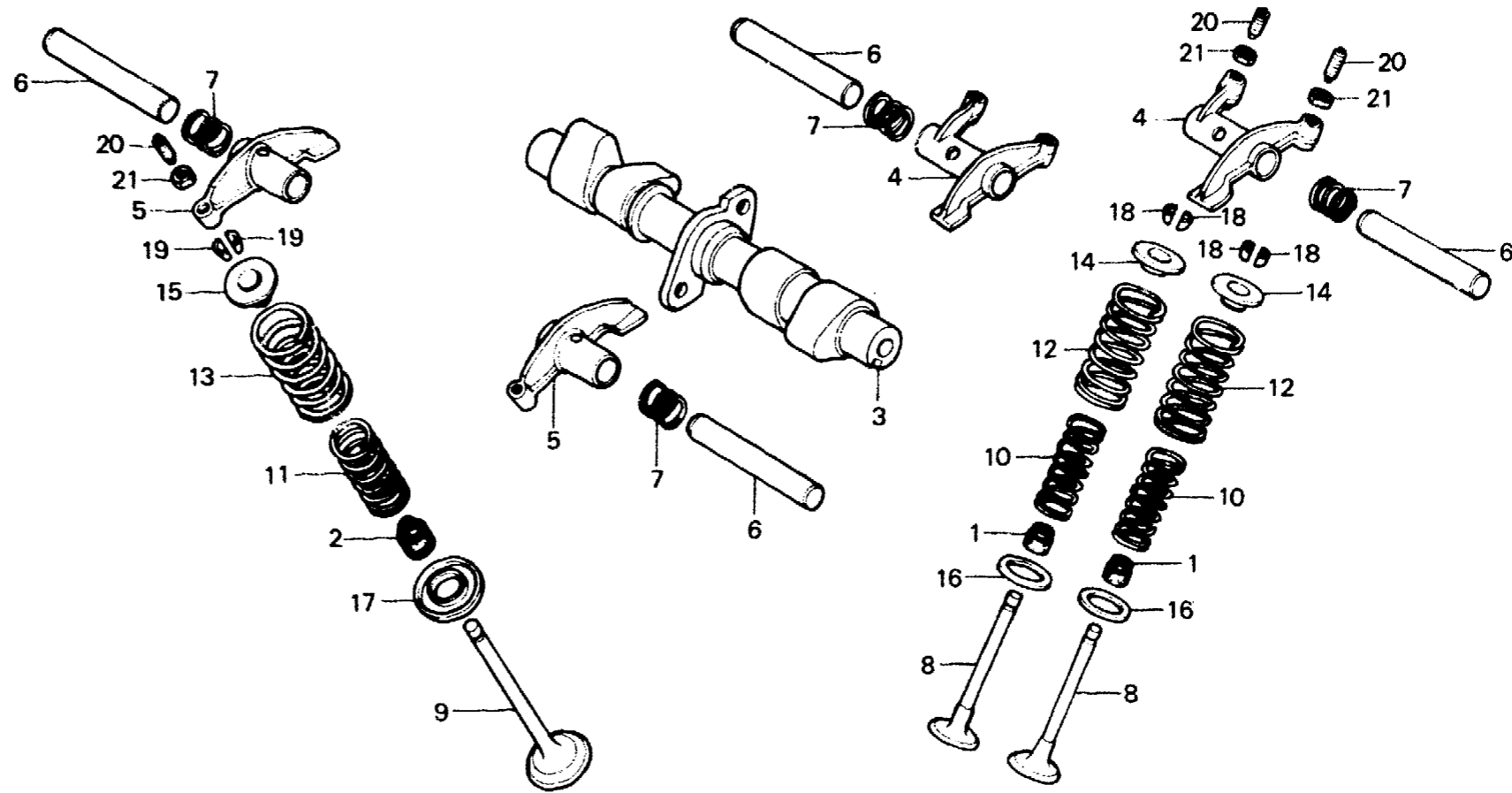
E-4

Camshaft • Valve

Arbre à cames • Soupape

Nockenwelle • Ventil

Arbol de levas • Válvula



B413-4

Service item	F.R.T.	Ref. No.	Part No.	Description	Reqd. No.				Serial No.	Area code
					CB 250N	CB 400N	CB 250Ns	CB 400Ns		
			14101-443-000	CAMSHAFT		1	1	1		B, E, ED, F, G, H, U, 1G
		4	14421-413-000	ARM, IN. VALVE ROCKER		2	2	2		
			14421-414-000	ARM, IN. VALVE ROCKER	2	2	2	2		
		5	14431-413-000	ARM, EX. VALVE ROCKER	2	2	2	2		
		6	14451-413-000	SHAFT, VALVE ROCKER ARM	4	4	4	4		
		7	14453-413-000	SPRING, VALVE ROCKER ARM SIDE	4					2004675 B, E, ED, F, G, SW
					4					3000487 G2
						4				2001916 B, E, ED, F, G
						4				3000785 G2
		8	14711-413-000	VALVE, IN.		4	4	4		
			14711-414-000	VALVE, IN.	4		4	4		
		9	14721-413-000	VALVE, EX.		2	2	2		
			14721-414-000	VALVE, EX.	2		2	2		
		10	14751-414-003	SPRING, IN. VALVE INNER (CHUD HATSUJO)	4	4	4	4		
			14751-414-004	SPRING, IN. VALVE INNER (NIPPON HATSUJO)	4	4	4	4		

C 12

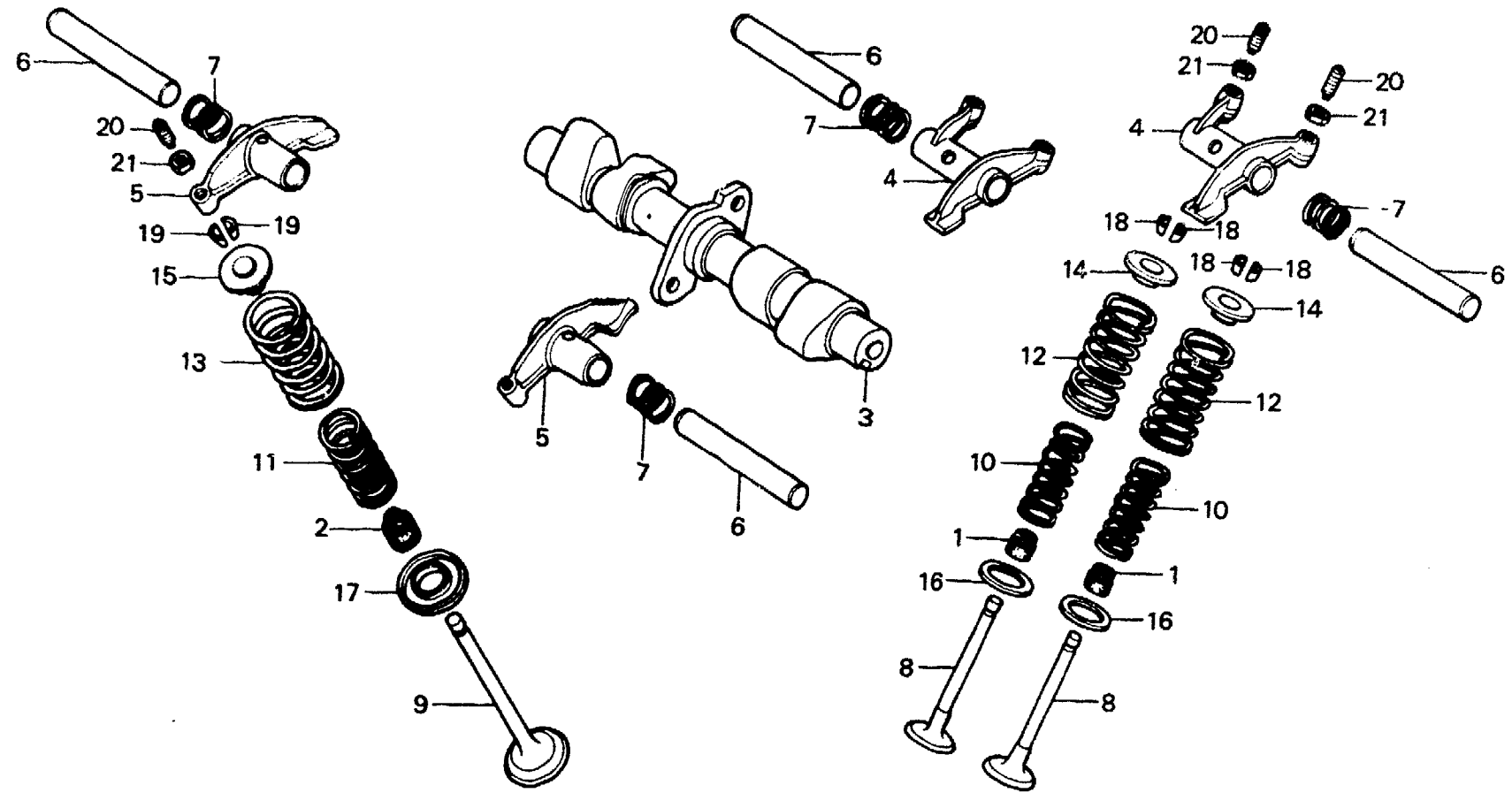
E-4

Camshaft • Valve

Arbre à cames • Soupape

Nockenwelle • Ventil

Arbol de levas • Válvula



B413-4

Service item	F.R.T.	Ref. No.	Part No.	Description	Reqd. No.						Serial No.	Area code
					CB 250N	CB 400N	CS 250NA	CS 400NA	CB 250NB	CB 400NB		
		11	14752-414-003	SPRING, EX. VALVE INNER (CHUO HATSUJO)	2	2	2	2	2	2		
			14752-414-004	SPRING, EX. VALVE INNER (NIPPON HATSUJO)	2	2	2	2	2	2		
		12	14761-414-003	SPRING, IN. VALVE OUTER (CHUO HATSUJO)	4	4	4	4	4	4		
			14761-414-004	SPRING, IN. VALVE OUTER (NIPPON HATSUJO)	4	4	4	4	4	4		
		13	14762-414-003	SPRING, EX. VALVE OUTER (CHUO HATSUJO)	2	2	2	2	2	2		
			14762-414-004	SPRING, EX. VALVE OUTER (NIPPON HATSUJO)	2	2	2	2	2	2		
		14	14771-107-020	RETAINER, VALVE SPRING	4	4	4	4	4	4		
		15	14771-413-000	RETAINER, VALVE SPRING	2	2	2	2	2	2		
		16	14775-107-000	SEAT, VALVE SPRING OUTER	4	4	4	4	4	4		
		17	14775-413-000	SEAT, VALVE SPRING	2	2	2	2	2	2		
		18	14781-107-020	COTTER, VALVE	8	8	8	8	8	8		B, E, ED, F, G, G2, H, SW 1G, 2G
		19	14781-410-000	COTTER, VALVE	4	4	4	4	4	4		